



Care of the carbon fiber stock:

Carbon is insensitive to all commonly used cleaning agents and weapon oils. It needs no special care. Occasional wiping of the surface with a soft cloth is sufficient.

Technical data:

Caliber, mm	4.5 single-shot rifle
System pressure, bar	300 and 200
Working pressure, bar	approx. 60
Firing capacity	at least 600 shots per cylinder (at 300 bar) at least 300 shots per cylinder (at 200 bar)
Weight, g	approx. 3,960 with aluminum cylinder, without additional weights
Dimensions L/H/W, mm	approx. 4,360 with steel cylinder, without additional weights 1,053 - 1,115 / 260 / 50
Sight length, mm	650 - 830
Trigger weight	50 - 120

Accessories:

Service booklet, for free annual maintenance
Raised line of sight
Additional weights
High-quality hard protective case

Be sure to read the enclosed standard operating instructions before using the rifle.

By purchasing this sporting weapon you have chosen a product of the highest quality: an enhanced member of the time-proven LG 300 air gun series made by WALTHER. The following features deserve special mention:

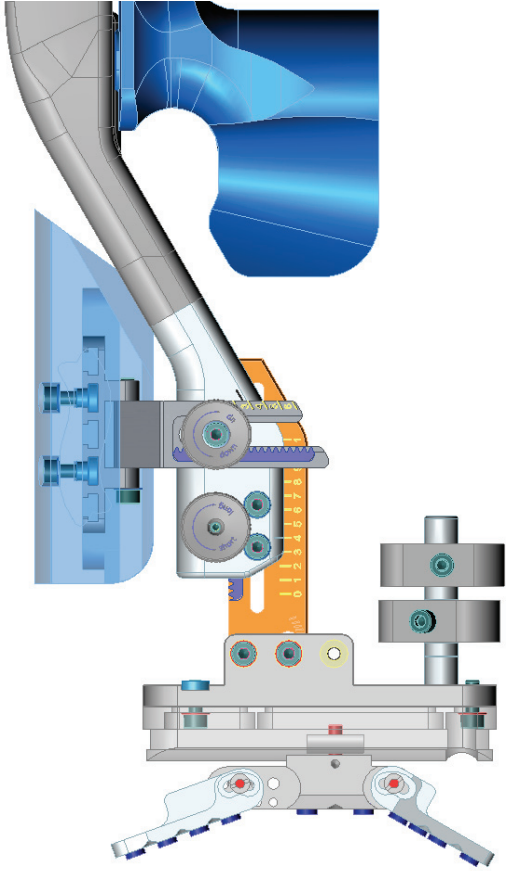
- XT anti-vibration system
- Carbon as a carrier system ensures an extremely light and highly stable design
- The newly developed core made of special foam reduces vibrations considerably
- Optimized system bedding for tension-free rest in the stock
- Improved adjustment possibilities and reproducibility of these settings for cheek piece and butt plate through rack mechanism and scale
- Individually adjustable center of gravity position by means of moveable shaft weights
- Fore-end adjustable in height and inclination
- Improved grip
- Removable on-board computer with easy-to-read LCD display

LG300XT CARBONTEC

OPERATING INSTRUCTIONS – SUPPLEMENT



Stock adjustment:



The stock can be adjusted in a large number of ways, making it possible to adapt this sporting weapon perfectly to one's individual needs.

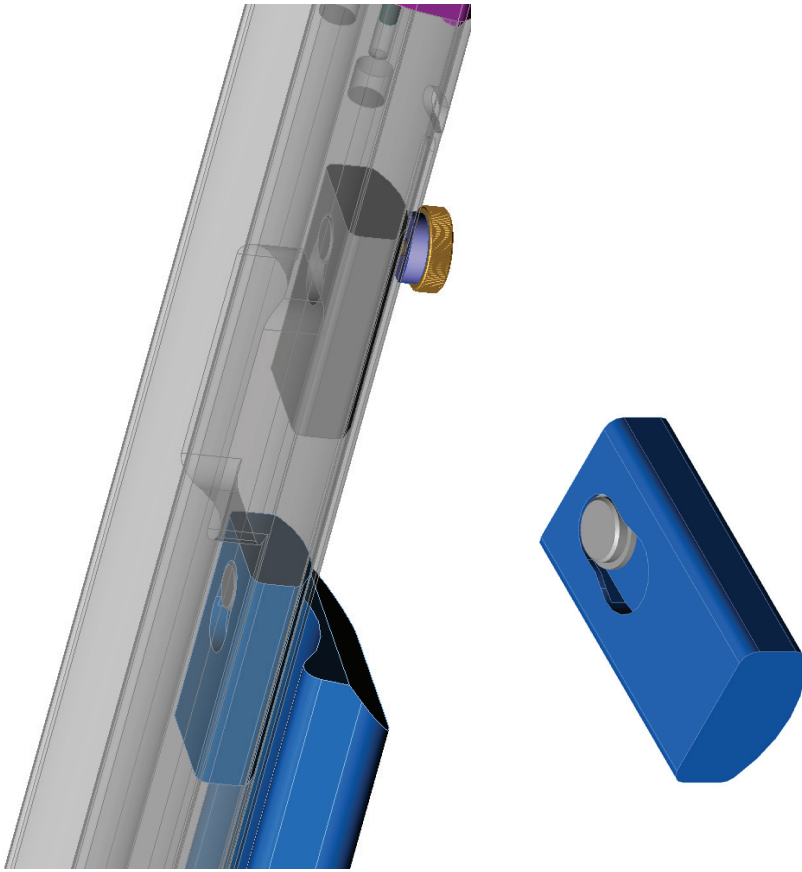
LG300XT CARBONTEC

OPERATING INSTRUCTIONS - SUPPLEMENT



Stock weights:

To insert additional weights into the fore-end, remove the compressed air cylinder. The weights can be easily adjusted from the outside. Fix them in position using the key supplied or a knurled screw.



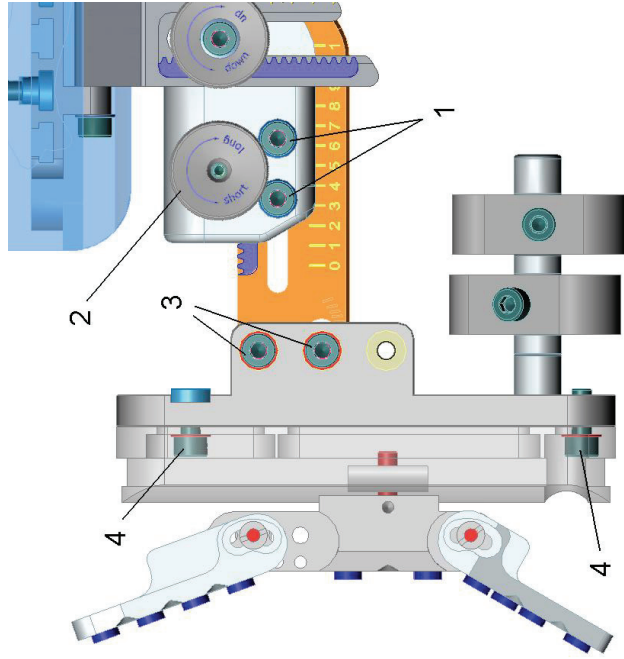


Stock length adjustment:

To adjust the length of the stock, loosen the screws (1) and turn the knurled screw (2). Then retighten the clamping screws.

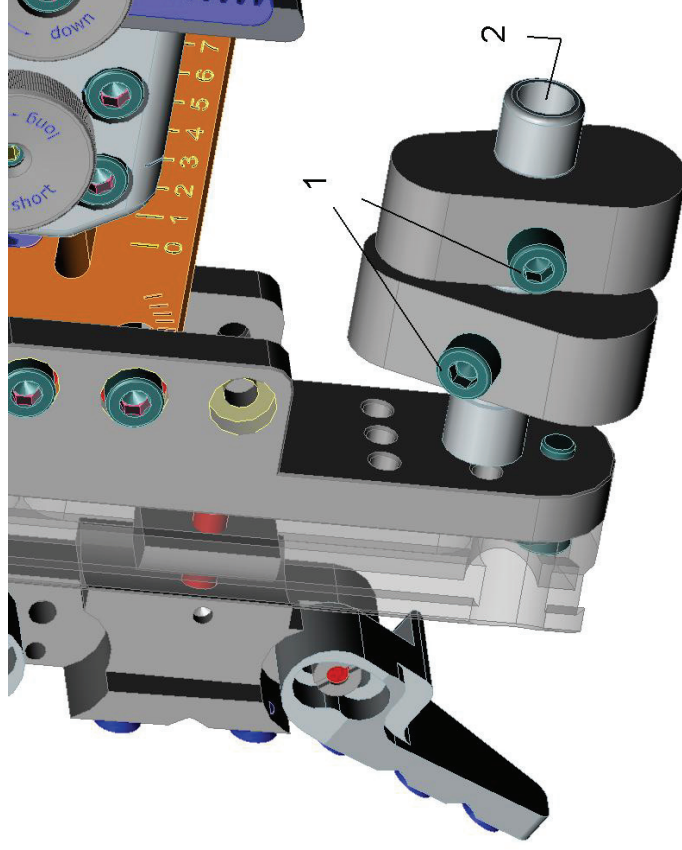
Butt plate adjustment:

To adjust the inclination of the butt plate, loosen the screws (3). To move the plate all the way up, remove the screws (3) and move the plate attachment up. To move the butt plate in a lateral direction, loosen the screws (4). (Observe sports ordinance!) For additional adjustment possibilities please see the enclosed MEC operating instructions.



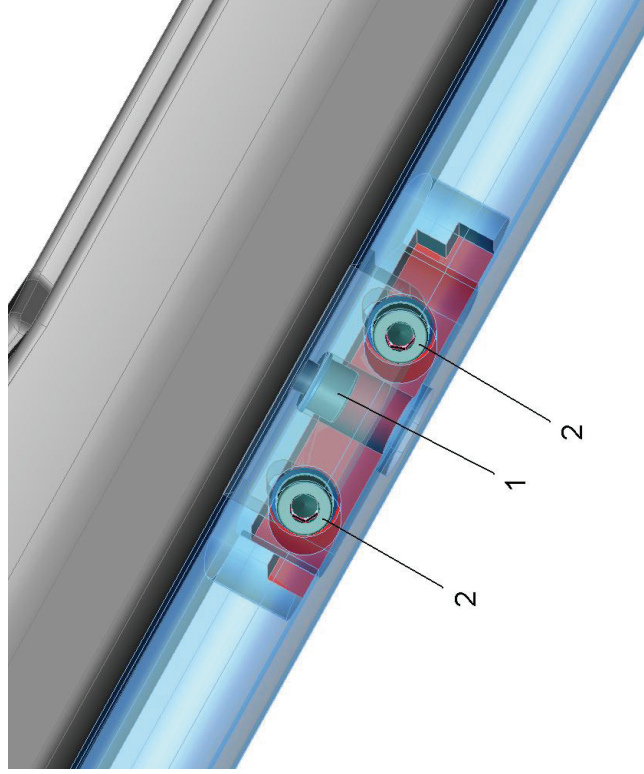
Chest rest:

The rests are variably adjustable to fit against the chest. The contact with the weapon that one is accustomed to from a wood stock can be perfectly adjusted to one's individual needs. Loosen the screw (1) to set the inclination and direction of each eccentric rest piece. In addition, the height and lateral position of the bar can be varied by loosening the screw in the bar (2).



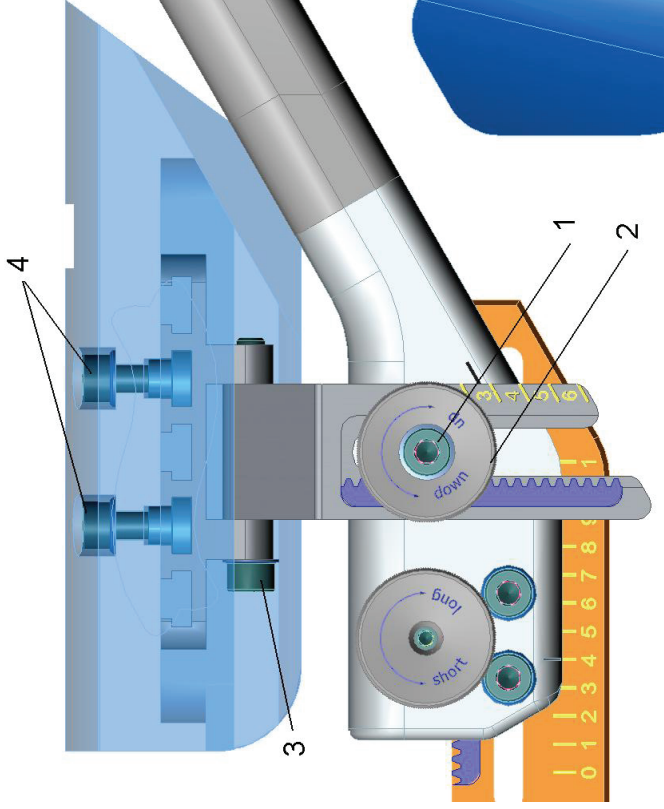
Fore-end adjustment

Loosen the screw (1) to turn the fore-end on the longitudinal axis. To adjust the height and inclination of the fore-end, loosen the screws (2). Retighten them afterwards.



Cheek piece adjustment

The cheek piece can be easily adjusted without dismantling. To change the height, loosen the socket head cap screw (1) and set the cheek piece to the desired height using the knurled screw (2). Then fix this setting with the socket head cap screw (1). To adjust the inclination, loosen the socket head cap screw (3) and tighten it again after the required position has been found. Change the lateral position of the cheek piece by loosening the screws (4). If a larger lateral adjustment is required, remove the screw (3) and move the entire cheek piece sideways. To change the longitudinal position of the cheek piece, remove the screws (4) all the way, take off the cheek piece, move the sliding blocks and put the cheek piece back on.



To change the longitudinal position of the cheek piece, remove the screws (4) all the way, take off the cheek piece, move the sliding blocks and put the cheek piece back on.